



# Door Bottoms

## Automatic Door Bottom

*Guaranteed quality since 1918*

521 – *Sponge Neoprene Insert/Pile Seal*



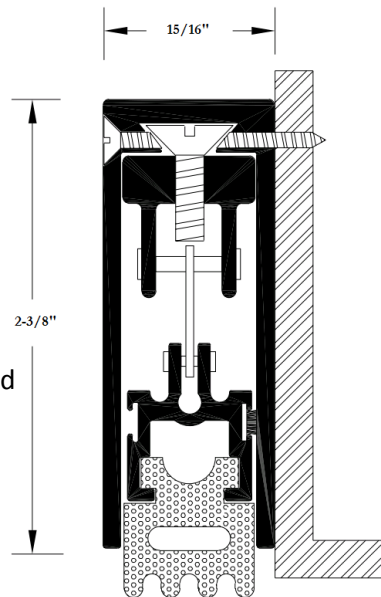
Min. size 12"  
 Max. size 96"  
 Max. drop 3/4"

Can be cut to exact size.

18" to 24" cannot be trimmed.  
 36", 42" and 48" can be trimmed up to 3". Other sizes can be trimmed up to 1".

**Finishes:**

- C - Clear Anodized Aluminum
- D - Dark Bronze Anodized Aluminum
- G - Gold Anodized Aluminum



<b>Job:</b>
<b>Prepared For:</b>
<b>Prepared By:</b>
<b>Date:</b>
<b>Remarks:</b>

Note: Door bottoms are not designed to seal directly on carpet. For best results door bottoms should seal on a solid surface. The solid surface should be positioned above the level of the floor covering on either side of the door. Door bottoms are field reversible and can be used in semi-mortised applications.