

9710 Series

Heavy Duty Aluminum
Box Track and Hardware

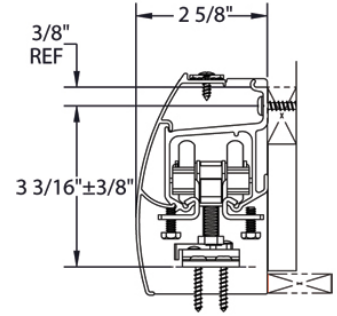
Architecturally designed wall-mount for sliding door hardware for commercial and residential

Compares to:

- Pemko 280SWT, Johnson 2610F, 2610FB

Finishes:

- Clear anodized
- Dark Bronze anodized



PRODUCT SPECIFICATIONS

WALL-MOUNT PACKAGED SETS:

- 9710 - 60" (1524 mm) for 1 Door
- 9710 - 72" (1829 mm) for 1 Door
- 9710 - 96" (2438 mm) for 1 Door
- 9710 - 144" (3658 mm) for 1 Door or 2 Doors

WALL-MOUNT BOX TRACK:

ONE TRACK REQUIRED FOR EACH OPENING

- 9703 - 60" (1524 mm) for 1 Door
- 9703 - 72" (1829 mm) for 1 Door
- 9703 - 96" (2438 mm) for 1 Door
- 9703 - 144" (3658 mm) for 1 Door

WALL-MOUNT ANODIZED ALUMINUM FASCIA:

- 9704 - 60" (1524 mm) for 1 Door
- 9704 - 72" (1829 mm) for 1 Door
- 9704 - 96" (2438 mm) for 1 Door
- 9704 - 144" (3658 mm) for 1 Door

END CAP SET:

- 9705 - One each left and right end cap and hardware

PARTS BAG:

- 9711 - 2 ea. 9827 hangers, 1 ea. 9115 bottom door guide, 4 ea. 9815 bumper stops

LOAD RATING:

Up to 250 lbs.

DOOR THICKNESS:

1" - 1-3/4"